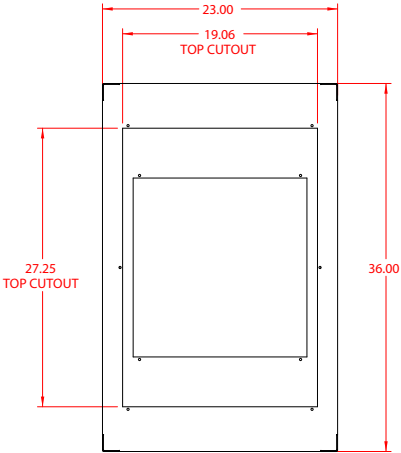
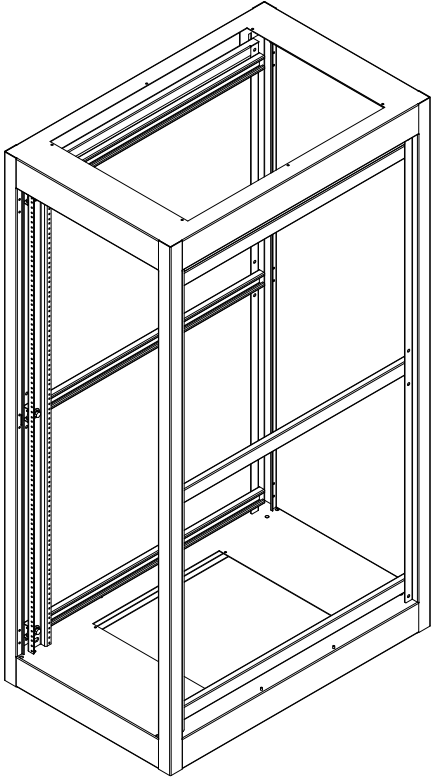
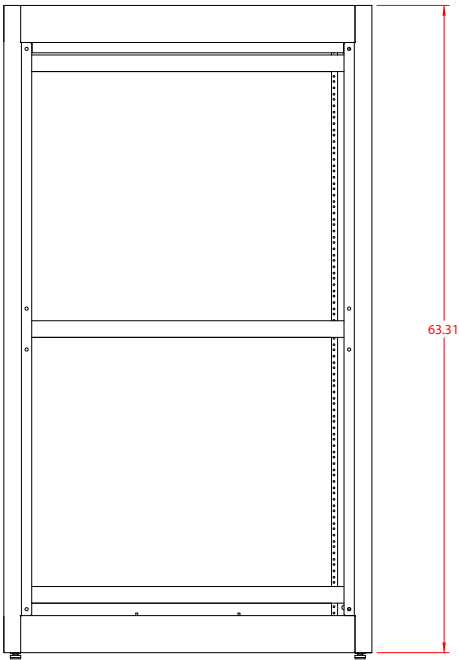


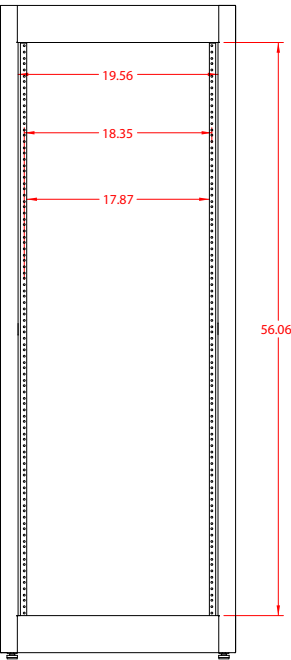
**PART No. C2F195636**  
 for more information visit  
[www.hammfg.com](http://www.hammfg.com)  
 Data subject to change without notice  
 Isometric drawing not to scale  
 CCR TAPPED RAILS NOT INCLUDED



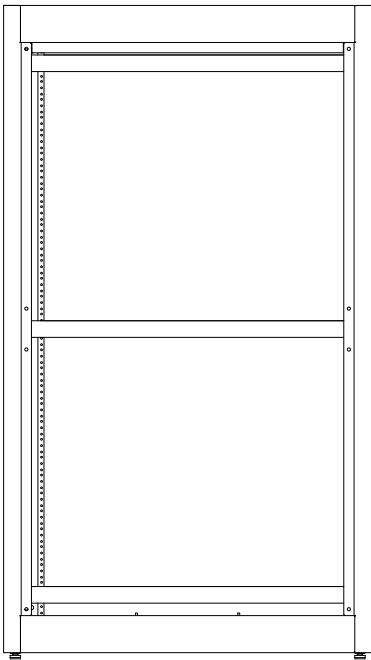
TOP VIEW



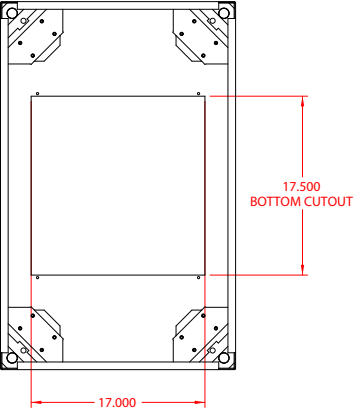
L.S. VIEW



FRONT VIEW



R.S. VIEW



BOTTOM VIEW